




dguard®
your life. your bike.

EN

your life.

dguard® detects the **accident**
and **automatically calls for help**

your bike.

dguard® warns you about a **theft**
User manual

made by  digades®

Congratulations on buying the dguard[®] system!

Whether you're driving on lonely country roads, in the woods or off-road – you'll never be alone again: from now on, dguard[®] will accompany you on your motorbike trips. This instruction manual will show you how to set up your dguard[®] and how to use it in an emergency. Every dguard[®] system complies with the strictest automobile standards and has been put through its paces before leaving the factory. In line with our motto, "your life. your bike.", dguard[®] represents not only your safety, but also that of your motorbike.

YOUR LIFE.

dguard[®] is equipped with several sensors that, while you are riding, record and evaluate data that could be relevant in an accident. This data includes your angle of inclination, your direction of motion and your motorbike's acceleration. If the measurements have detected an accident, an emergency call is triggered. If you are not injured in the accident, you can cancel the emergency call. Otherwise, the accident will be reported and your exact GPS coordinates will be sent to the emergency coordination centre. Now, provided you are able to speak, you can communicate with the emergency coordination centre via your own Bluetooth headset in the helmet. If you cannot speak, the emergency coordination centre will react immediately and send help straightaway.

YOUR BIKE.

Of course your life is important to you, but your motorbike is also close to your heart. So why not protect both? The sensors of the dguard[®] system are active even when the ignition is switched off. The sensors check if somebody is tampering with your motorbike and, if this is the case, let you know via your smartphone.

You can use the dguard® roadbook to record your tours in detail. The interactive map shows you your route, your speeds and the altitude data for your tour. You can personalise your tours and share them with your friends on social media platforms.

Is that all? No, dguard® also offers you a whole host of additional functions. You can look them up in the pages to come. There's just one more thing to say: motorcycling is a beautiful and responsible hobby that requires you to ride with foresight and make use of the necessary protective equipment. dguard® supports you in this. **Everyone needs a reliable partner in case something serious happens.**

EN

We would like to offer you an enjoyable and accident-free journey.
Your dguard® team

Content

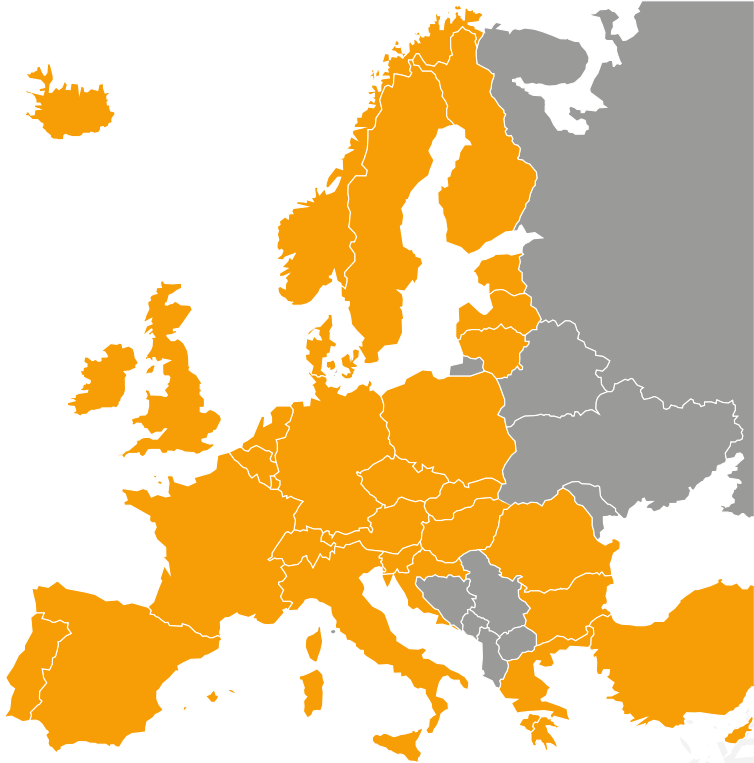
1 Product tips	5
1.1 List of regions supported	5
1.2 Safety-related instructions.....	6
1.3 Limits of the system.....	7
1.3.1 Undetected accident situations	7
1.3.2 Disconnections	7
2 Product overview	8
2.1 Overview of the dguard® system	8
2.2 Scope of delivery.....	9
3 Installing the dguard® system	11
3.1 Laying the cable harness	11
3.2 Installing the dguard® button	13
3.2.1 Installing the dguard® button with handlebar adapter	13
3.2.2 Installing the dguard® button without handlebar adapter... ..	15
3.3 Installing the GPS antenna.....	16
3.4 Installing the dguard® module.....	17
3.5 Installing the dguard® app.....	19
3.6 Creating user account	20

3.7	Connecting a Bluetooth headset to the dguard® system.....	20
4	Operating the dguard® system	22
4.1	Using the dguard® system.....	22
4.2	Switching on the dguard® system	22
4.3	System status and troubleshooting	23
4.3.1	Checking the system status on the dguard® button.....	23
4.3.2	Checking the system status in the dguard® app	24
4.3.3	Troubleshooting	24
4.4	Using the emergency call function.....	24
4.4.1	Informing personal contacts of an emergency call.....	24
4.4.2	Activating and deactivating the emergency call function ...	25
4.4.3	Making an emergency call	26
4.4.4	What to do after a reported accident with dguard®	28
4.5	Using the anti-theft warning function	29
4.5.1	Configuring the anti-theft warning	29
4.5.2	Activating the anti-theft warning.....	30
4.5.3	How an anti-theft warning works.....	30
4.5.4	Deactivating the anti-theft warning.....	32
4.6	dguard® roadbook	32
4.6.1	Recording a tour	32
4.6.2	Setting a break time.....	33
4.6.3	Finishing the tour	33
4.6.4	Importing and exporting tours	34
4.7	My dguard® system	34
4.7.1	Testing GPS reception	34
4.7.2	Testing Bluetooth reception.....	35
4.8	My dguard® account	35
5	Software updates.....	36
5.1	Updating the software	36
5.2	Updating the dguard® app.....	37
6	Technical data	38

1 Product tips

1.1 List of regions supported

The dguard® system can be used in the following European countries:



EN

Fig. 1: In orange: European countries in which the dguard® system is available.

The dguard® system can be used in the following overseas regions:

- French Guiana
- Guadeloupe
- Martinique
- Mayotte
- Saint Barthélemy
- Saint-Martin (French part)

No emergency call is triggered in the following countries:

- Albania
- Bosnia and Herzegovina
- Macedonia
- Ukraine
- Republic of Moldova
- Russia
- Belarus

The latest version of the list of supported areas as contained in the dguard® terms and conditions of use is legally applicable. The terms and conditions of use can be found online at www.dguard.com or are available on request from our customer service.

EN

1.2 Safety-related instructions**INSTRUCTION**

Never disconnect the dguard® system from the vehicle battery's power supply while making settings to the system or carrying out a software update. A loss of the power supply can lead in these cases to total failure of the dguard® system, which cannot be remedied by the user.

**INSTRUCTION**

If you are riding slowly off-road and there is no serious risk to you due to the motorbike falling over, deactivate the automatic triggering of the emergency call function (Chapter "4.4.2 Activating and deactivating the emergency call function", p. 25). The motorbike falling over can otherwise result in the emergency services being alerted. Manual triggering via the dguard® button is not affected by this deactivation.

**INFO**

The dguard® system is designed for normal riding. Correct functioning of the system cannot be guaranteed in unusual riding situations (e.g. repeated wheelies during stop-and-go riding or on a motocross course). An emergency call may be triggered unintentionally.

If you are planning manoeuvres such as these, please switch off the emergency call function (Chapter “4.4.2 Activating and deactivating the emergency call function”, p. 25).

1.3 Limits of the system

1.3.1 Undetected accident situations

The dguard® system is capable of reliably detecting almost every possible accident situation. Despite all care and technical precision, however, it is not possible to detect 100% of accident situations automatically. Especially when riding slowly at speeds below 20 km/h, falls without outside involvement are not considered an accident, as medical assistance is not usually required in these situations. Irrespective of this, the emergency call can be triggered manually at any time with the SOS button.

1.3.2 Disconnections

If you are in an area **without mobile coverage**, successful placing of an emergency call and successful anti-theft warning by the dguard® system cannot be guaranteed. All the same, calls to the emergency dispatch are treated with the **highest possible priority** and, **when roaming, generally use all available mobile networks**.

If your **GPS reception is lost** briefly, e.g. when riding through a tunnel, no precise positioning can be carried out. In this case, the last known position is transmitted in the event of an accident. If you are using the dguard® system **without a Bluetooth headset**, you will not be able to speak to the emergency coordination centre. We guarantee, however, that, if there is sufficient reception at the accident spot, the GPS coordinates and the automated voice message will be transmitted to the emergency coordination centre.

2 Product overview

2.1 Overview of the dguard® system

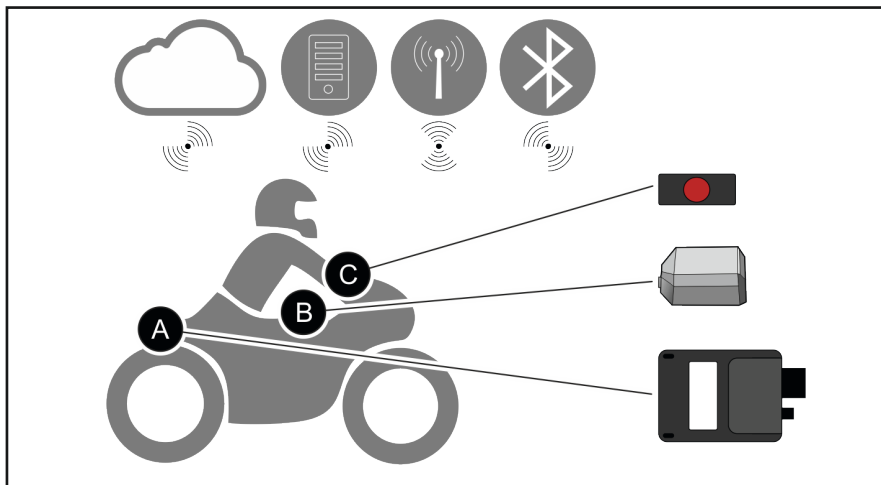


Fig. 2: Overview of the dguard® system

dguard® cloud
 dguard® app
 Emergency call
 Bluetooth

- The dguard® module (Fig. 2/A) automatically makes an emergency call in the event of an accident and manages the voice connections between your Bluetooth headset and the emergency coordination centre.
- The dguard® button (Fig. 2/C) is installed in the visible area. You can use it to make an emergency call manually at any time.
- The dguard® module (Fig. 2/A), the GPS antenna (Fig. 2/B) and the dguard® button (Fig. 2/C) are fixed to your motorbike.
- Your data is protected against unauthorised access in the dguard® cloud .
- The dguard® app gives you access to your dguard® system.

**INFO**

The dguard® app functions require the smartphone to have an Internet connection and the dguard® module to have mobile phone reception.

2.2 Scope of delivery



Fig. 3: Scope of delivery

The dguard® system consists of the following vehicle components:

- 1 dguard® button
- 2 dguard® module
- 3 dguard® GPS antenna

Additional accessories in the scope of delivery

- ✓ Cable harness
- ✓ Quick Start Guide
- ✓ Handlebar adapter for the dguard® button
- ✓ 2 hose clamps and shrink sleeves for the handlebar adapter
- ✓ Adhesive pads to attach the dguard® button including a cleaning cloth
- ✓ Adhesive pad to attach the dguard® module
- ✓ Adhesive pad to attach the GPS antenna

EN

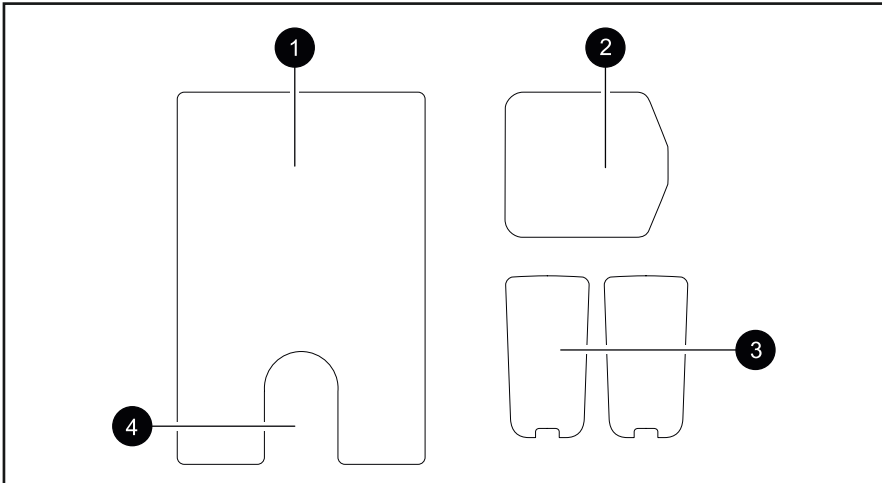


Fig. 4: Overview of the adhesive pads

- 1 Adhesive pad dguard® Modul
- 2 Adhesive pad dguard® GPS-Antenne
- 3 Adhesive pad dguard® Taster (+ reserve)
- 4 Slot for the pressure compensation membrane

3 Installing the dguard® system

3.1 Laying cable harness

The cable harness must be connected to the module, the button, the vehicle battery (“terminal 30”) and the switched positive pole of the circuit switched by the ignition (“terminal 15”). The GPS antenna must be connected separately to the module.



WARNING!

If you are unsure about the correct wiring on the circuit switched by the ignition (“terminal 15”), ask your dealer or garage for options for your motorcycle. Many models already offer connection options provided by the manufacturer; they cannot all be listed here.

EN

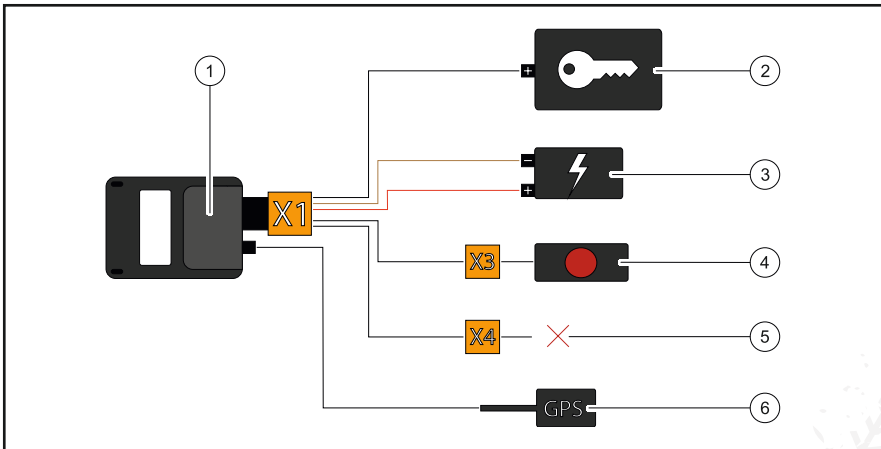


Fig. 5: Connecting the cable harness

- 1 dguard® module
- 2 Live positive terminal (“terminal 15“)
- 3 Vehicle battery (“terminal 30“ and “terminal 31“)
- 4 dguard® button
- 5 Reserved for accessories/not in use
- 6 GPS antenna

Observe the following requirements at the installation location:

- Ensure that the cable is long enough to reach the installation locations of the vehicle components, the GPS antenna, the vehicle battery and the positive terminal of the power circuit activated by the ignition.
- Choose a hidden installation location (and one that provides maximum protection in the event of an accident) for the dguard® module within the motorbike frame (e.g. under the seat or in the rear of the frame).
- The dguard® module requires mobile phone reception and thus should not be fitted directly under the metal parts of the motorbike.

1. Find a suitable place to install the module.
2. Lay the cable with the 16-pin connection **X1** at the installation location of the dguard® module (Fig. 5/1).
3. Lay the cable with the 3-pin connection **X3** for the dguard® button (Fig. 5/4) on the handlebar.
4. Ensure that the cable of the GPS antenna (Fig. 5/6) can reach from the installation location of the GPS antenna to the installation location of the dguard® module (Fig. 5/1) (Chapter „3.3 Installing the GPS antenna“, p. 16).
5. Connect the black wire to the positive terminal of the power circuit activated by the ignition (Fig. 5/2).
6. Ensure that the cables are not chafed by the frame, are not bent or crushed and are not laid in the vicinity of hot components (such as the exhaust or cylinders).
7. Connect the brown wire to the negative terminal of the vehicle battery (Fig. 5/3).
8. Connect the red wire to the positive terminal of the vehicle battery (Fig. 5/3).
9. Temporarily fix unconnected plugs to the planned installation location of the vehicle components.



INFO

The 2-pin connection **X4** (Fig. 5/5) is reserved for accessories. To guarantee protection class IP67, all plugs must be connected and engaged fully. The vacant 2-pin connection **X4** has a dummy plug that only needs to be removed if you intend to attach accessories

- ⇒ You have connected the cable harness to the vehicle battery and to the positive terminal of the power circuit activated by the ignition on your vehicle.

3.2 Installing the dguard® button

The dguard® button is the main operating unit on your motorbike. While you ride, a green LED will inform you about the current system status (Chapter „4.3 System status and troubleshooting“, p. 23). You can also use the dguard® button to make an emergency call manually.



INFO

The dguard® button can be installed with or without a handlebar adapter. Installation with the handlebar adapter depends on whether your steering rod offers enough space.

3.2.1 Installing the dguard® button with handlebar adapter

Observe the following requirements at the installation location:

- Ensure that there is sufficient space on the steering rod of your motorbike to fit the handlebar adapter.
- You will require a screwdriver and a hot air dryer.
- Select the hose clip that matches the diameter of your steering rod.
- ✓ hose clip for diameter 18 mm to 29 mm
- ✓ hose clip for diameter 28 mm to 39 mm

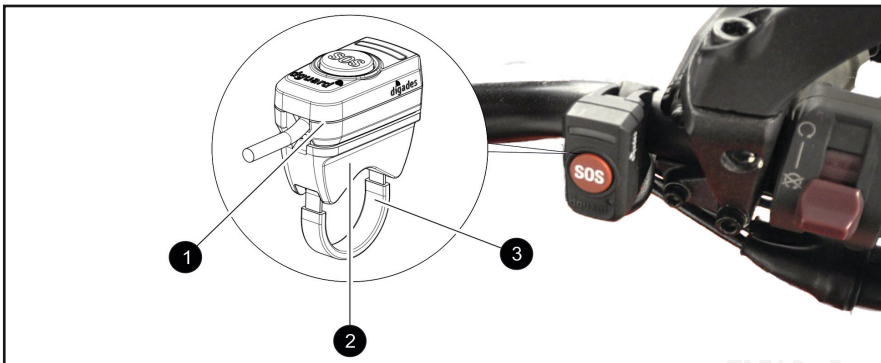


Fig. 6: Installation position of the dguard® button

- 1 dguard® button
- 2 Handlebar adapter
- 3 Hose clip with shrink sleeves

1. Pull the shrink sleeve with the required length over the hose clip.



WARNING!

Ensure that there are no flammable materials in your vicinity.

EN

2. Use a hot air blow dryer to shrink the shrink sleeve.
3. Guide the hose clip through the openings on the handlebar adapter.
4. Ensure that the cable with the 3-pin connection **X3** is long enough to reach the installation location on the handlebar and that your steering movements are not impaired.
5. Ensure that the recess on the handlebar adapter is positioned on the handlebar.



INSTRUCTION

The dguard® button can only be placed in one direction on the handlebar adapter. Before applying the adhesive pad, check the installation direction of the dguard® button on the handlebar adapter.

6. Fix the hose clamp with the handlebar adapter to the handlebar and tighten it with a screwdriver.
7. Clean the handlebar adapter and the dguard® button thoroughly for the adhesive pad (Fig. 4/3) and remove all residue of dust, moisture or grease.



INSTRUCTION

The adhesive surfaces of the adhesive pad (Fig. 4/3) must be dry and free of dust and grease. Clean the adhesive surfaces thoroughly before sticking.

8. Ensure that the adhesive surface of the adhesive pad (Fig. 4/3) is free of impurities.
 9. Stick the adhesive pad (Fig. 4/3) to the handlebar adapter.
 10. Press the dguard® button against the adhesive surface on the handlebar adapter.
 11. Connect the cable with the 3-pin connection **X3** to the dguard® button (Chapter „3.1 Laying the cable harness“, p. 11)
- ⇒ You have installed the dguard® Taster button.

3.2.2 Installing the dguard® button without handlebar adapter

EN

If your motorbike does not offer enough space on the handlebar, you can fix the dguard® button to the cockpit without a handlebar adapter.

Observe the following requirements at the installation location:

- Select a location on the cockpit with sufficient space for the adhesive pad (Fig. 4/3).
1. Clean the selected location in the cockpit thoroughly for the adhesive pad (Fig. 4/3) and the dguard® button and remove all residue of dust, moisture and grease.
 2. Ensure that the cable with the 3-pin connection **X3** is long enough to reach the installation location and that your steering movements are not impaired.



INSTRUCTION

The adhesive surfaces of the adhesive pad (Fig. 4/3) must be dry and free of dust and grease. Clean the adhesive surfaces thoroughly before sticking.

3. Ensure that the adhesive surface of the adhesive pad (Fig. 4/3) is free of impurities.
 4. Stick the adhesive pad (Fig. 4/3) to the selected location.
 5. Press the dguard® button against the adhesive surface.
 6. Connect the cable with the 3-pin connection **X3** to the dguard® button (Chapter „3.1 Laying the cable harness“, p. 11).
- ⇒ You have installed the dguard® button.

3.3 Installing the GPS antenna

Observe the following requirements at the installation location:

- Select a location on your motorbike with sufficient space for the adhesive pad (Fig. 4/2).
- Ensure that no metal parts of the frame and no top case interfere with reception. Plastic frame parts do not interfere with reception.



INFO

To test the reception of the GPS antenna, you have now connected the cable harness to the vehicle battery and to the positive terminal of the power circuit activated by the ignition (“terminal 15”).

EN

1. Place the GPS antenna (Fig. 7/1) at the planned installation location.

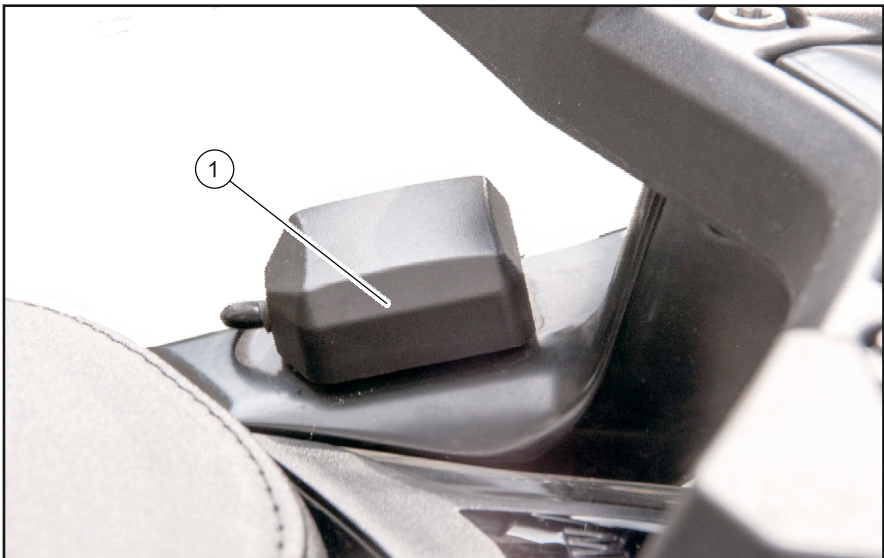


Fig. 7: Example installation location for the GPS antenna

2. Ensure that the antenna cable reaches the antenna connection of the dguard® module.
3. Connect the GPS antenna to the antenna connection of the dguard® module.

**INFO**

When you first switch on the system, it may take up to 2 minutes until the LED goes out.

4. Clean the selected location for the adhesive pad (Fig. 4/2) and the GPS antenna thoroughly and remove all residue of dust, moisture or grease.

**INSTRUCTION**

The adhesive surfaces of the adhesive pad (Fig. 4/2) must be dry and free of dust and grease. Clean the adhesive surfaces thoroughly before sticking.

5. Ensure that the adhesive surface of the adhesive pad (Fig. 4/2) is free of impurities.
 6. Stick the adhesive pad (Fig. 4/2) to the selected location.
 7. Press the GPS antenna against the adhesive surface. Try to use the entire surface of the adhesive pad.
- ⇒ You have now installed the GPS antenna.

3.4 Installing the dguard® module

The dguard® module is the main interface for accident detection and theft warning and is thus the heart of your dguard® system. The dguard® module contains the SIM chip required to place an emergency call.

Observe the following requirements at the installation location:

- Choose a hidden location (and one that provides maximum protection in the event of an accident) within the motorbike frame (e.g. under the seat or in the rear of the frame).

**INSTRUCTION**

The dguard® module requires mobile phone reception and thus should not be fitted directly under the metal parts of the motorbike.

1. Clean the selected location thoroughly and remove all residue of dust, moisture or grease.



INSTRUCTION

The adhesive surfaces of the adhesive pad (Fig. 4/1) must be dry and free of dust and grease. Clean the adhesive surfaces thoroughly before sticking.

2. Ensure that the adhesive surface of the adhesive pad (Fig. 4/1) is free of impurities.
3. Stick the adhesive pad (Fig. 4/1) to the selected location for the dguard® module.

EN



WARNING!

Note the slot for the pressure compensation membrane (Fig. 4/4) on the adhesive pad for the dguard® module. Do not stick anything on the pressure compensation membrane.

4. Press the dguard® module to the adhesive surface. Try to use the entire surface of the adhesive pad..



WARNING!

To guarantee full functionality in the event of an accident and to avoid false alarms, ensure that the dguard® module is securely positioned after installation.

5. Attach the dguard® module to a fixed part of your motorbike using adhesive tape or cable ties.
- ⇒ You have now installed the dguard® module.

3.5 Installing the dguard® app

Download the dguard® app for Android from the Google Play Store or for iOS from the App Store on your smartphone and tablet:



Enter **dguard** in the Play Store search window or scan the QR code



Enter **dguard** in the App Store search window or scan the QR code



INFO

At app.dguard.com, you will find the web app that you can open in the browser of your choice using any Internet-capable device.

The web app offers almost the same functions as the dguard® app, but there are a few restrictions. The anti-theft warning function, for example, can only use SMS notification, as push notifications are not available.

3.6 Creating user account

To use the dguard® system, you need a user account.

1. Download and install the dguard® app for Android from the Google Play Store or for iOS from the App Store.
2. Enter the data by either scanning the QR code in the app or by entering the ICC ID and serial number. The ICC ID and the serial number (SN) can be found on the module label and on the Quick Start Guide.
3. Check or enter your personal data.
4. The vehicle data (VIN, vehicle type, fuel type) are requested. These can be found in the vehicle registration document and on the motorcycle (see vehicle manual).
5. Click on continue to save the data and a push message appears as soon as the SIM is activated. Switch on the ignition, a further push message appears to confirm that the system has been successfully put into operation. Watch out for reception.



INFO

Log in to the app for the first time with a new user account. The app will then guide you through the process of unlocking the system.

3.7 Connecting a Bluetooth headset to the dguard® system



INFO

We recommend that you use a headset. If your Bluetooth headset is not connected, you cannot speak to the emergency coordination centre in the event of an emergency call. Naturally, the emergency call with your GPS coordinates can be made without a Bluetooth headset.

Observe the following requirements:

- You have unlocked the dguard® system.
1. Switch on your motorbike's ignition.
 - ⇒ The LED on the dguard® button flashes slowly and the system is started. When the LED on the dguard® button lights up permanently, the system is active.
 2. Put on your headset.
 3. Start the connection process by following the user manual of your headset.
 4. To start the dguard® system's Bluetooth connection mode, press the dguard® button 4 times in quick succession.
 - ⇒ The LED on the dguard® button flashes at irregular intervals and the system automatically tries to establish a connection to your Bluetooth headset.
 - ⇒ If you hear a confirmation tone and the LED on the dguard® button flashes 4 times, the connection process was successful. The LED then remains lit up.

**INFO**

On some headset models, it is possible to connect several devices to the headset via Bluetooth. Depending on the headset, the dguard® module may not be detected. It is possible that a connection cannot be established. Check your headset's instruction manual to find out how to delete connections to other devices. Delete the Bluetooth connection between the headset and the dguard® module and try again.

**INFO**

You can check the status of your Bluetooth connection in the dguard® app (Chapter "4.7.2 Testing Bluetooth reception", p. 35).

4 Operating the dguard® system

4.1 Using the dguard® system

Observe the following requirements:

- You have laid the cable harness and connected it to the vehicle. (Chapter „3.1 Laying the cable harness“, p. 11)
- You have installed the dguard® button. (Chapter „3.2 Installing the dguard® button“, p. 13)
- You have installed the GPS antenna. (Chapter „3.3 Installing the GPS antenna“, p. 16)
- You have installed the dguard® module. (Chapter „3.4 Installing the dguard® module“, p. 17)
- You have installed the dguard® app and created a user account. (Chapter „3.5 Installing the dguard® app“, p. 19)

1. Open the dguard® app and log in with your user account.
⇒ The first time you log on to the app, the vehicle overview is opened.
2. Click on „*Create motorcycle*“.
3. Follow the instructions in the app.

4.2 Switching on the dguard® system

Observe the following requirement:

- You have installed the dguard® module, the dguard® button and the GPS antenna and connected them to the cable harness
 - You have unlocked the system.
1. Switch on your motorbike's ignition.
⇒ The LED on the dguard® button flashes and the system is switched on. As soon as the LED on the dguard® button lights up permanently, the system is active.

4.3 System status and troubleshooting

4.3.1 Checking the system status on the dguard® button

The green LED on the dguard® button shows you the current system status.

- | | |
|---|---|
| flashes twice quickly with a 1-second pause between each flash | The dguard® system logs into the mobile network after the ignition has been switched on. |
| flashes slowly | The dguard® system is searching for the GPS position. |
| lights up continuously | The dguard® system is activated and ready for use. |
| is off | Fault. In most cases the GPS connection is disturbed, but the emergency call is still active. Check the system status in the dguard® app. |
| flashes quickly | The dguard® system is currently making an emergency call. |
| flashes slowly at irregular intervals | Bluetooth connection mode active. |
| flashes 4 times in quick succession | Bluetooth connection established successfully. |
| flashes 6 times in quick succession | Ignition is switched off, the anti-theft warning is being activated. |
| flashes in a modulating manner | Software is being updated. |

4.3.2 Checking the system status in the dguard® app

In the dashboard, you can see an overview of the statuses of the different wireless connections and the functionality of the vehicle components.



INFO

The Bluetooth connection does not affect the display of the overall status because a Bluetooth headset does not have to be connected. You can call up the current connection status in the dguard® app (Chapter “4.7.2 Testing Bluetooth reception”, p. 35).

EN

4.3.3 Troubleshooting

1. If there is a fault, turn off the ignition.
 2. Ensure that you are in a location with sufficient mobile phone reception.
 3. Ensure that you wait at least 60 seconds after switching off the ignition.
 4. Switch on the ignition.
- ⇒ Your dguard® system is re-initialised.



INFO

If you have no mobile reception for a longer period or a status display continues to report a fault, please your authorised contact dguard® dealer.

4.4 Using the emergency call function

4.4.1 Informing personal contacts of an emergency call

As the main user, you can determine whether personal contacts should also be informed in the event of an automatic emergency call. For this purpose, you can specify up to 5 mobile phone numbers for an SMS notification, and up to 5 email addresses.

1. Open the dguard® app and click on “Emergency call”.
2. Click on “Notification via SMS” or “Notification via email”.
3. Enter your first name and surname.
4. Click and select in order to create a new contact, or select to add a contact from your contact list.

**INFO**

The mobile phone number of your contacts must be specified in the international format with the country code. For example, the mobile phone number for UK connections must start with “+44”.

- ⇒ If an emergency call is placed automatically, your personal contacts and the emergency services will be informed. The emergency services do not receive data about your personal contacts.

**INFO**

The selected contact receives a message with the following content:
“The dguard® system of rider <name of rider> installed on the motorbike <name of motorbike> has triggered an emergency call at the following position <GPS coordinates of the accident spot>.”

EN

4.4.2 Activating and deactivating the emergency call function

You can only activate or deactivate automatic triggering of an emergency call when the ignition is switched on.

1. Open the dguard® app and click on “*Emergency call*”.
 2. In order to activate or deactivate the emergency call function, click on the selection button.
- ⇒ The emergency call function is active if the selection button is pointing to the right and is orange.

**INFO**

Depending on your settings, you can make an emergency call manually when the dguard® module has sufficient mobile phone reception.

4.4.3 Making an emergency call

Step 1a: Accident situation is detected by the dguard® system and an emergency call is triggered automatically

As soon as the dguard® system detects an accident situation, an automatic emergency call is triggered. The LED on the dguard® button flashes very quickly. The dguard® system dials the emergency number (112) and establishes a connection to the local emergency coordination centre.



INFO

The LED on the dguard® button continues to flash until the emergency call has been received by the emergency coordination centre and has been completed.



INSTRUCTION

An emergency call that has been triggered can be cancelled within 15 seconds by pressing the emergency call button at least **twice**.



INFO

If you have stored information on personal contacts under “*Emergency call configuration*”, your personal contacts are informed about the accident situation when an emergency call is automatically triggered.

- ⇒ Once the emergency call has been made, the LED on the dguard® button is once again lit up permanently.

Step 1b: Making an emergency call manually

You can also use your dguard® system to make an emergency call manually.

1. Press and hold the dguard® button for at least 3 seconds.
- ⇒ The LED flashes very quickly and the emergency call is made. The dguard® system dials the emergency number and establishes a connection to the local emergency coordination centre.



INFO

The LED on the dguard® button continues to flash until the emergency call has been received by the emergency coordination centre and has been completed.

**INSTRUCTION**

An emergency call that has been triggered can be cancelled within 15 seconds by pressing the emergency call button at least **twice**.

**INFO**

If you have stored information on personal contacts under “*Emergency call configuration*”, your personal contacts are **not** informed about the accident situation when an emergency call is made manually, as it cannot be determined whether the emergency call is about you or a third party.

After an emergency call has been triggered: GPS coordinates and voice message are transmitted

If the language of your current region is available in the functional scope of the dguard® system, the message is played in the local language; otherwise, English is used (Chapter “1.1 List of regions supported”, p. 5). The emergency coordination centre can use the information transmitted automatically to organise the help you need.

Step 2a: Automatic emergency call and manual emergency call without a Bluetooth headset

As soon as the connection is established to the emergency coordination centre, your current position is played three times to the emergency coordination centre as a voice message.

**INFO**

Voice messages in the case of automatically and manually triggered emergency calls without a connected Bluetooth headset have the following content:

“Attention! A motorbike equipped with an automatic emergency call system has been involved in an accident. Get ready to record the GPS coordinates of the accident site. The GPS coordinates are: <GPS coordinate 1> <GPS coordinate 2>.”

The announcement of the coordinates is repeated three times. A connection is then made to the accident victim if he/she has connected a Bluetooth headset.”

Step 2b: Manual emergency call with Bluetooth headset

As soon as the connection to the emergency coordination centre is established, you can talk to them. If an automated voice message is to be played, press the dguard® button once more. The emergency coordination centre is then played a truncated voice message once with your current position. A connection to your Bluetooth headset is then re-established.

EN



INFO

Voice messages in the case of manually triggered emergency calls with a connected Bluetooth headset have the following content: “The GPS coordinates are: <GPS coordinate 1> <GPS coordinate 2>”



INFO

Even if you are unable to speak, the rescue operation can be carried out using the GPS coordinates.

4.4.4 What to do after a reported accident with dguard®

Secure the accident location and provide **first aid** if you have not been injured. Remain in the vicinity of your reported position until the emergency services arrive.

Note the following points if a false alarm has been triggered:

- If the emergency call was triggered less than 15 seconds ago, press the emergency call button at least twice to cancel the emergency call.
- If the emergency call was triggered more than 15 seconds ago, inform the emergency coordination centre. You can reach the emergency coordination centre across Europe at **112**.

4.5 Using the anti-theft warning function

The anti-theft warning uses an alarm tone and a push message to your smartphone to warn you if your motorbike is moved without your authorization.

4.5.1 Configuring the anti-theft warning

In the menu point “*Anti-theft warning*”, you can make pre-settings and have the current location of your motorbike displayed.

1. Open the dguard® app and click on “*Anti-theft warning*”.
2. If you would like to receive an SMS in the event of the alarm being triggered, activate “*SMS alert*”.
3. Enter a mobile phone number, e.g. that of a friend.



INFO

The mobile phone number of your contacts must be specified in the international format with the country code. For example, the mobile phone number for UK connections must start with “+44”.

- ⇒ In the event of an anti-theft warning, and if “*SMS alarm notification*” is activated, an SMS will also be sent to the mobile phone number entered.
4. For Android end devices only: If you would like the alarm tone to sound even when the smartphone is muted, activate “*Alert even if muted*”.



INFO

You will receive a push notification (please enable the display of push notifications in the smartphone settings) to your smartphone for every alarm regardless of whether you have activated “*SMS alert*” or “*Alert even if muted*” (only for Android end devices).

5. Use the slider to set the sensitivity of the alarm function.



INFO

The more sensitive the setting, the sooner the anti-theft warning will react to your motorbike being moved.

Test the setting until the trigger threshold satisfies your requirements.

4.5.2 Activating the anti-theft warning

1. Switch on your motorbike's ignition.
2. Open the dguard® app and click on "Anti-theft warning".
3. In order to activate the alarm, click on the selection button "Alarm function".
4. Switch off your motorbike's ignition.
⇒ The LED on the dguard® button flashes six times in quick succession and the anti-theft warning is activated.

4.5.3 How an anti-theft warning works

When the anti-theft warning is active, the dguard® system continuously checks whether your motorbike is being moved.

If your motorbike is moved, the following happens:

- The dguard® system sends a push notification to the dguard® app and the alarm tone is played on your phone, unless you have deactivated it.
- If you have activated "SMS alert", an SMS is also sent to the mobile phone number entered.



INFO

The selected contact receives an SMS with the following content: "<name of motorbike>: Your dguard® system has detected an unauthorised movement of your motorbike. The motorbike's current position is: <GPS coordinates of the current location>"

- The anti-theft warning is repeated at regular intervals if the motorbike continues to move.
- As long as your motorbike is moving, the current GPS coordinates are transmitted to the dguard® cloud, and you can call them up using the dguard® app.

1. If the dguard® app is not open, acknowledge the anti-theft warning by clicking the push notification.
⇒ The dguard® app is then opened and the menu item “Anti-theft warning” is displayed.
2. If the dguard® app is already open before the anti-theft warning is issued, navigate to “Theft warning”.
⇒ This acknowledges the anti-theft warning.
3. To check the position of your motorbike, click “Locate position”.

**INFO**

The dguard® app can be used to query the last transmitted position at any time, even if the alarm function is deactivated. The position shown generally matches the location at which the motorbike’s ignition was last switched off or, if the ignition is switched off, where a potentially unauthorised movement was detected.

Note the following exceptions when it comes to transmitting the position:

- If there is no GPS reception where the motorbike is parked, the last position that had GPS reception is transmitted. For an underground car park, for example, this may be the entrance.
- If there is no mobile phone reception at the motorbike’s parking location, the position cannot be transmitted. For this reason, the last transmitted position is displayed.

4.5.4 Deactivating the anti-theft warning

Completely deactivating the anti-theft warning

Observe the following requirement:

- The anti-theft warning is activated in the dguard® app (Chapter “4.5.2 Activating the anti-theft warning”, p. 30).
1. Open the dguard® app and navigate to “*Anti-theft warning*”.
 2. In order to deactivate the alarm fully, click on the selection button “*Alarm function*”.
- ⇒ The anti-theft warning function remains deactivated even when you switch off your motorbike’s ignition.


The anti-theft warning is active and you would like to ride off

1. Switch on your motorbike’s ignition.
- ⇒ The LED on the dguard® button flashes slowly and the system is started. When the LED on the dguard® button lights up permanently, the system is active and the anti-theft warning is deactivated.

4.6 dguard® roadbook

You can use the dguard® app to record your tours in detail. If you have recorded a tour, the interactive map shows you your route, your speeds and the altitude data for your tour. You can add comments to your tours and share them with your friends on social media platforms.

4.6.1 Recording a tour

1. Open the dguard® app and click on “*dguard® roadbook*”.
 2. To record a tour, click .
- ⇒ The recording bar at the bottom of the screen opens and shows you your current recording status.



INFO

Your tours are only recorded when the ignition is switched on. If you start a recording when the ignition is switched off, the dguard® system waits until the ignition is switched on before starting data recording.

4.6.2 Setting a break time

The break time allows you to interrupt the recording of a tour.

- If the interruption is longer than the set break time, the recording must be started again.
- If the interruption is shorter, the tour is automatically resumed once you start riding again.

1. Open the dguard® app and click on “dguard® roadbook”.
2. Open the menu in the top right corner of the screen and select “Set break time”.

Alternatively: Navigate to “My dguard® system” and click on “dguard® roadbook with break time”.

3. Select a timeframe and click on “Finished”.

⇒ The break time is activated when you switch off the ignition during recording of a tour.

4.6.3 Finishing the tour

Option 1: Finishing the tour manually

1. Click on “Finish” in the recording bar within the dguard® app.
- ⇒ The tour is finished and stored. You can view the tour data under “dguard® roadbook”.

Option 2: Tour is finished automatically

The recording is finished if your dguard® system is inactive for longer than the set break time. The tour is stored. You can view the tour data under “dguard® roadbook”.

1. If you ride off again before the break time is over, the recording of the tour is resumed automatically.

4.6.4 Importing and exporting tours

You can export your recorded tours.

1. Click on a recorded tour and open the menu at the top right of the screen.
2. Click on *“Export”* to export the tour from the dguard® cloud.
⇒ The tour is stored locally on your smartphone in GPX format.

You can import your friends' tours or tours from the Internet and then ride them yourself.

1. Within the dguard® roadbook, open the menu at the top right of the screen.
2. Click on *“Import track”* and select the GPX file.
⇒ The tour is imported.

4.7 My dguard® system

In the *“My dguard® system”* view, you can test the GPS reception and the Bluetooth connection and check the current software version of your dguard® system. You will also find the user manual as a download here.

4.7.1 Testing GPS reception

1. Switch on your motorbike's ignition.
⇒ The LED on the dguard® button flashes slowly and the system is switched on. When the LED on the dguard® button lights up permanently, the system is active.
2. Navigate to *“My dguard® system”*.
3. Click on *“Test GPS reception for locating function”*.
4. Click on *“Show position”*.
⇒ A map showing you your motorbike's current position is opened.
5. Click on *“Query current position”* to view the coordinates of your motorbike's location.
6. If the position cannot be pinpointed, change your current location and try to receive the GPS again.

4.7.2 Testing Bluetooth reception

Observe the following requirement:

- Your Bluetooth headset is connected (Chapter “3.7 Connecting a Bluetooth headset to the dguard® system”, p. 20).
1. Switch on your motorbike’s ignition.
 - ⇒ The LED on the dguard® button flashes slowly and the system is switched on. When the LED on the dguard® button lights up permanently, the system is active.
 2. Navigate to “My dguard® system”.
 3. Put on your headset.
 4. Click on “Test headset connection”.
 - ⇒ Through the headset, you will hear the automatic voice message that is sent to the emergency services in the event of an emergency call.
 - ⇒ If the status display under the button lights up in green, the test was successful. If the status display lights up in red, the connection has been terminated. If the status display remains grey, no current connection status is available.

4.8 My dguard® account

1. Navigate to “My dguard® account”.
 - ⇒ The account settings are opened.
2. Carry out the following tasks if necessary:
 - Manage the motorbikes you have created in the dguard® app (edit name, make and model; delete motorbike profile).
 - Change the phone number for the anti-theft warning.
 - Manage your account (change password and e-mail address; delete account).
 - Log out of the dguard® app.

5 Software updates

5.1 Updating the software

Software updates allow you to benefit from product improvements at all times and make sure that your dguard® system is always up to date.



INFO

Your motorbike's ignition must be active during the entire update process. If your motorbike has a keyless-go system that switches the ignition off again after certain amount of time, let the engine run during the update. A loss of the power supply during the software update can lead to total failure of the dguard® system, which cannot be remedied by the user. **A software update takes approx. 10 minutes.**

1. Switch on your motorbike's ignition.
2. Ensure that you are in a location with sufficient mobile phone reception.
3. Open the dguard® app.
 - ⇒ The dguard® app tells you automatically about an available software update.
4. Click on "Yes" on the notification of a software update in order to install an available software update.
 - ⇒ The update process is started. The software update is downloaded and installed in the background. The LED on the dguard® is lit up in a modulating manner.
 - ⇒ If you have started the software update with your smartphone, you will receive a message via the dguard® app if the process has been successful.
 - ⇒ If you have started the software update with the web app, e.g. using your notebook, you will receive an e-mail.
 - ⇒ If the software update fails, you will receive a message via the dguard® app or an e-mail. If the problem continues to persist, contact us or your certified dguard® dealer.
5. To carry out the software update later, click on "No".
 - ⇒ Later, when you select the motorbike, you will be reminded of the software update. Alternatively you can use "My dguard® system" to start a software update. If a software update is available, the button "New update available" appears.

5.2 Updating the dguard® app

Check the update messages on your smartphone at regular intervals.

Updates to apps are listed in the App Store for Apple® end devices and in the Google Play Store for Android end devices. As soon as an update becomes available for your dguard® app, please update it on your smartphone.

- You will find information about the current version of the dguard® app in the menu item *"Information > Licences"*.

6 Technical data

Operating voltage 12 V DC (6 to 16 V DC)

**Standby power consumption
(anti-theft warning active)** < 100 μ A

Max. power consumption max. 1.5 A
(briefly during a GSM burst)

Fuse protection, terminal 30 2 A (flat fuse, form C/mini)

Fuse protection, terminal 15 2 A (flat fuse, form C/mini)

Operating temperature -20 °C to +85 °C

Weight of the dguard® module approx. 110 g

Weight of the dguard® button approx. 45 g

Cable harness weight approx. 135 g

Protection class IP67 with cable harness connected

Radio frequencies used

Frequency band I 1: UL 1710 MHz – 1785 MHz
DL 1805 MHz – 1880 MHz

2: UL 880 MHz – 915 MHz
DL 925 MHz – 960 MHz

Maximum transmission power 1: 1 W/30 dBm

2: 2 W/33 dBm

Frequency band II 2400 MHz – 2483.5 MHz

Maximum transmission power 2.8 mW/4.4 dBm e.i.r.p.

EN

SIMPLIFIED EU DECLARATION OF CONFORMITY

digades GmbH hereby declares that the dguard® radio equipment type complies with the Directive 2014/53/EU.

The complete text of the EU declaration of conformity is available at the following web address:

dguard.com/conformity

EN

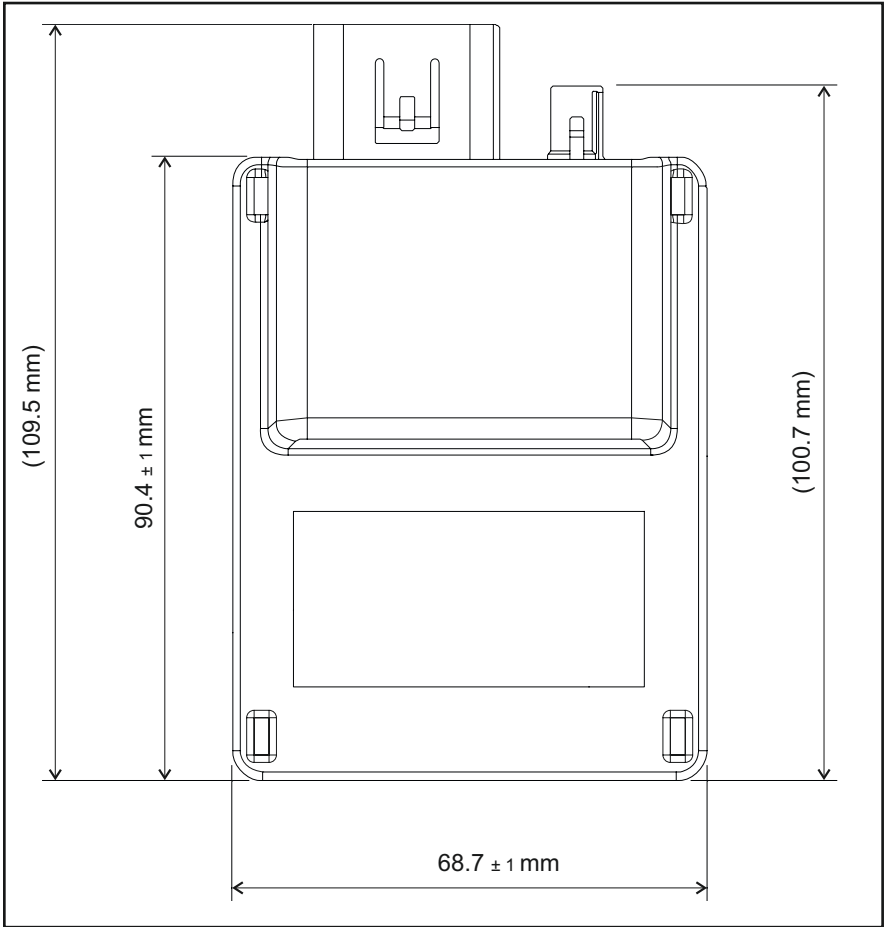


Abb. 8: dguard® module with dimensioning

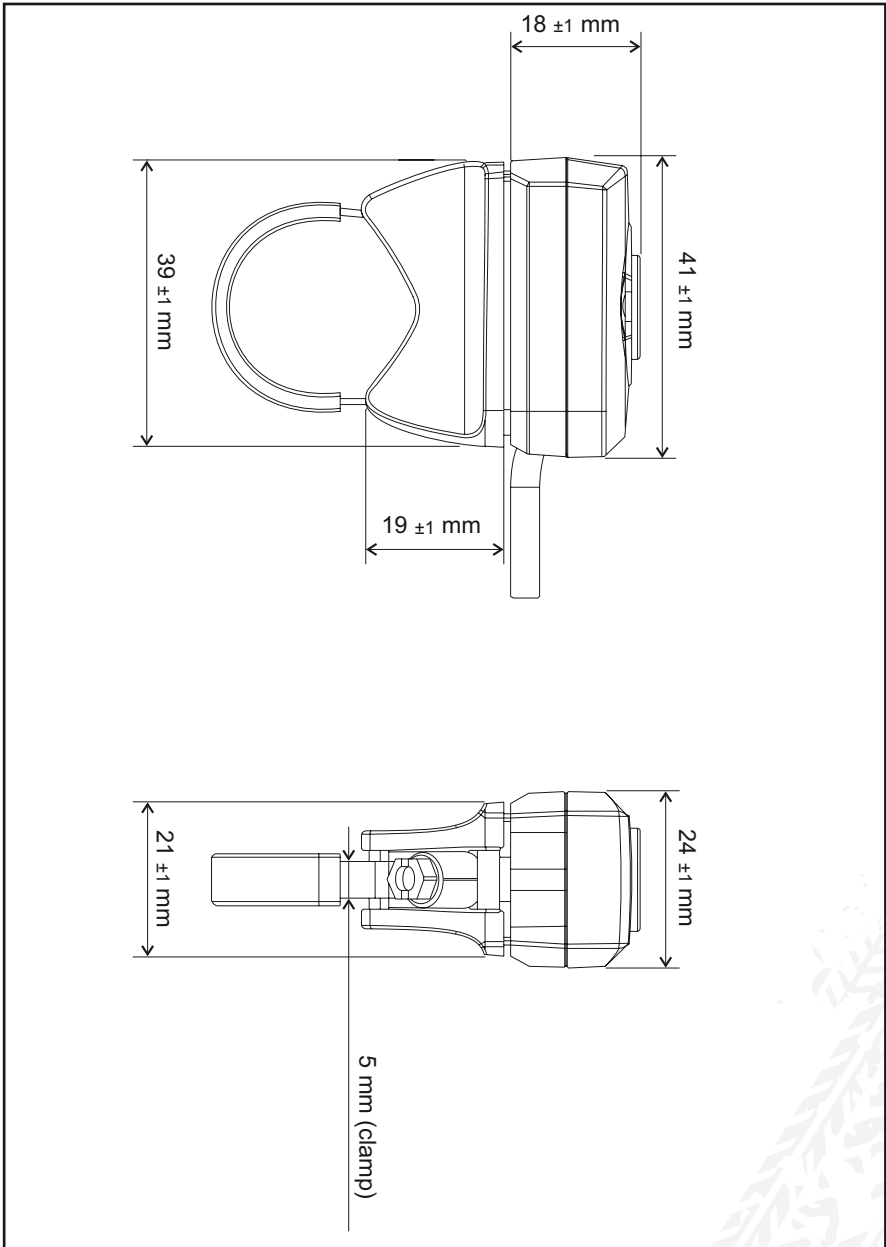


Abb. 9: dguard® button with dimensioning



Digades GmbH

Äußere Weberstraße 20
02763 Zittau
GERMANY
www.dguard.com
www.digades.de
dguard@digades.de

Subject to change without notice
© 2018 All rights reserved